

# COLOR CONTACT IMAGE SENSOR

## C2R108

**SHEC** SHANDONG HUALING ELECTRONICS CO.,LTD.

Torch Road, Hi-Tech. IDZ

Weihai Shandong, China

Tel: 86-631-569-8012

Fax: 86-631-568-4988

E-mail: [SHEC@163169.net](mailto:SHEC@163169.net)

### 1. Description

This specification is applied to C2R108 Color Contact Image Sensor module (Color CIS).

### 2. Scope

This C2R108 is a Color CIS consists of a Rod Lens Array, a color LED light source and an array of linear MOS image sensor.

### 3. Outline

| Item                                | Specification   | Note                                 |
|-------------------------------------|---|--------------------------------------|
| Scanning width                      | 108 mm  |                                      |
| Sensor element density              | 200 DPI   |                                      |
| Effective number of sensor elements | 850 elements<br>(Full 864 elements)   | 8 <sup>th</sup> to 857 <sup>th</sup> |
| Scanning speed                      | Color: 0.095×3 msec/line (RGB)<br>Black & White: 0.095 msec/line  |                                      |
| Clock speed                         | 4.0 MHz   | <b>Note 1</b>                        |
| Rod lens array                      | Single row  |                                      |
| Light source                        | Red $\lambda_p = 630\text{nm} \pm 15\text{nm}$<br>60mA<br>Green $\lambda_p = 520\text{nm} \pm 15\text{nm}$<br>60mA<br>Blue $\lambda_p = 465\text{nm} \pm 10\text{nm}$<br>60mA | LED<br>At least two LED vendors.     |
| Power supply                        | +5V x 160 mA  |                                      |
| Data output                         | 3 analog output<br>Block #1 288 pixels<br>Block #2 288 pixels<br>Block #3 288 pixels  | Synchronous                          |
| Block diagram                       | Figure 5  |                                      |
| Dimensions                          | Figure 1  |                                      |

**Note 1)** Clock Speed f must satisfy the following status:

$$f > (288 + 88) / \text{tint}$$

- f: Clock speed
- 288: Block sensor elements number
- tint: Scanning speed

**4. Image Data Output Characteristics (Ta = 25°C )**

The shipment test in SHEC is done on the condition of this table.

**In Color Mode**

| Item                    | Symbol | Specification       |         |         | Note            |
|-------------------------|--------|---------------------|---------|---------|-----------------|
|                         |        | Red                 | Green   | Blue    |                 |
| DC supply voltage       | VDD    | +5.0V               |         |         | Detector, Logic |
| LED supply voltage      | VLED   | <3.0V               | <5.0V   | <5.0V   |                 |
| LED supply current      | ILED   | 60mA                | 60mA    | 60mA    |                 |
| White image target      |        | 0.05 ~ 0.09 OD      |         |         |                 |
| Timing diagram          |        | Figure 7            |         |         |                 |
| Dark Reference          | Dref   | (1,300 mV)          |         |         | 4.1             |
| Dark output minimum     | Vdmin  | ± 100 mV            |         |         | 4.2             |
| White output maximum    | Vpmax  | 190 ± 50 mV         |         |         | 4.3             |
| Dark output uniformity  | Ud     | Less than Vpmax/2.0 |         |         | 4.4             |
| White output uniformity | Uep    | Less than 50%       |         |         | 4.5             |
| MTF                     |        | 20% MIN             | 30% MIN | 15% MIN | 4.6 71.37 lppi  |
| Linearity               | Gamma  | 1.05 ± 0.05         |         |         |                 |
| Linearity Uniformity    | LU     | Less than 6 %       |         |         | 4.7             |

**In Black and White Mode**

| Item                    | Symbol | Specification       |       |      | Note            |
|-------------------------|--------|---------------------|-------|------|-----------------|
|                         |        | Red                 | Green | Blue |                 |
| DC supply voltage       | VDD    | +5.0V               |       |      | Detector, Logic |
| LED supply voltage      | VLED   | <3.0V               | 0V    | 0V   |                 |
| LED supply current      | ILED   | 60mA                | 0mA   | 0mA  |                 |
| White image target      |        | 0.05 ~ 0.09 OD      |       |      |                 |
| Timing diagram          |        | Figure 11           |       |      |                 |
| Dark Reference          | Dref   | (1,300 mV)          |       |      | 4.1             |
| Dark output minimum     | Vdmin  | ± 100 mV            |       |      | 4.2             |
| White output maximum    | Vpmax  | 190 ± 50 mV         |       |      | 4.3             |
| Dark output uniformity  | Ud     | Less than Vpmax/2.0 |       |      | 4.4             |
| White output uniformity | UEp    | Less than 50%       |       |      | 4.5             |
| MTF                     |        | 20% MIN             |       |      | 4.6 71.37 lppi  |

The output level of image signal like white and dark and MTF is defined at the point of “ts2” which described in section 6.

A test target is set on the reading position described Figure 1.

#### 4.1 Dref

Dark reference output.

As shown in Figure 4, Dref appears from clock #33 to #62. Vdmin output value is based on Dref.

#### 4.2 Vdmin

As shown in Figure 2, Vdmin is the minimum in the dark output signal (turning off the LED).

Every other parameters are defined by Vdmin as a reference.

#### 4.3 Vpmax

As shown in Figure 2, Vpmax is the maximum white output signal and is defined by:

$$Vpmax = \text{MAX}[Vp(n)]$$

Vp(n) is the output signal of the n-th pixel using a white image target.

#### 4.4 Ud

As shown in Figure 2, Ud is the output signal in the dark (turning off the LED) and is defined by;

$$Ud = Vdmax - Vdmin$$

Vdmax is the maximum output signal of the nth pixel in the dark

Vdmin is the minimum output signal of the nth pixel in the dark

#### 4.5 UEp

UEp is the white output non-uniformity with dark signal subtracted and is defined by:

$$UEp = ((VEpmax - VEpmi) / (VEpmax)) \times 100\%$$

VEpmax = MAX[VEp(n)]; is the maximum effective output signal

VEpmi = MIN[VEp(n)]; is the minimum effective output signal

VEp(n) is the effective output signal of every pixel and is defined by:

$$VEp(n) = Vp(n) - Vd(n)$$

#### 4.6 MTF

MTF is defined by:

$$MTF = MIN\{ [(V_{max}-V_{min}) / V_{Ep}] \} \times 100\%$$

$V_{max}$  is the maximum output signal using the MTF image target

$V_{min}$  is the minimum output signal using the MTF image target

$V_{Ep}$  is the effective output signal .

#### 4.7 Linearity Uniformity

LUg is measured following procedure and defined;

##### Step1. Test Target

The white image target is used as a test target. This target must not be moved while this test is being operated.

##### Step2. LED adjustment

Tred, Tgrn, Tblu should be adjusted according to Figure 8 procedure.

##### Step3. Dark and White correction

Dark and White correction must be done for every each pixel.

##### Step4. LED on time set

Tred, Tgrn and Tblu should be changed as following;

$$Tred/2, Tgrn/2, Tblu/2$$

##### Step5. Compute LUg

LUg should be computed for each color as;

$$LUg = \sqrt{D_{gave} - D_{gextm}}$$

$D_{gave}$  is the average of  $Vg(n)$ .  $Vg(n)$  should be got more than 8 times sampling.

##### Step6. LED on time set

Tred, Tgrn and Tblu should be changed as followed and compute LUg regarding to Step5;

$$Tred/4, Tgrn/4, Tblu/4$$

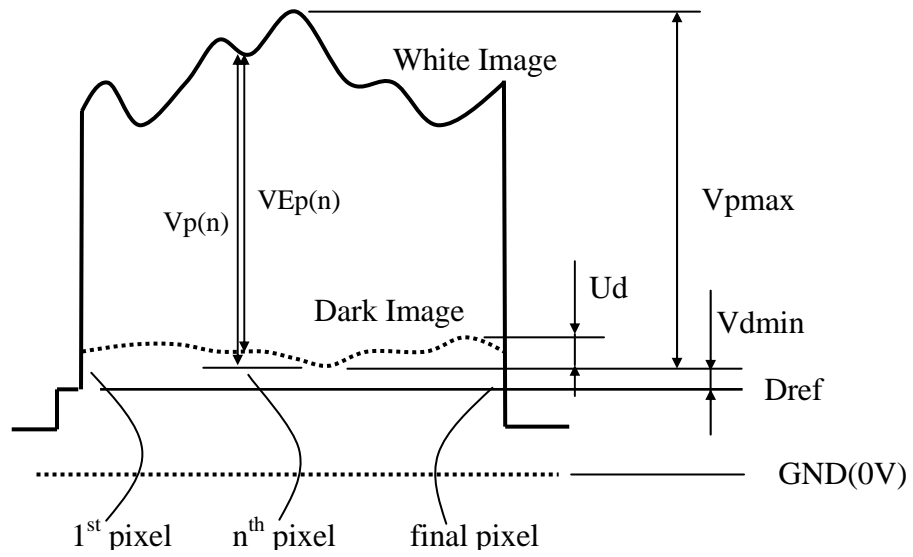
##### Step7. LED on time set

Tred, Tgrn and Tblu should be changed as followed and compute LUg regarding to Step5;

$$Tred/8, Tgrn/8, Tblu/8$$

#### 4.8 Correction of Dark and White uniformity

For the best performance two points correction (dark and white) is strongly recommended.



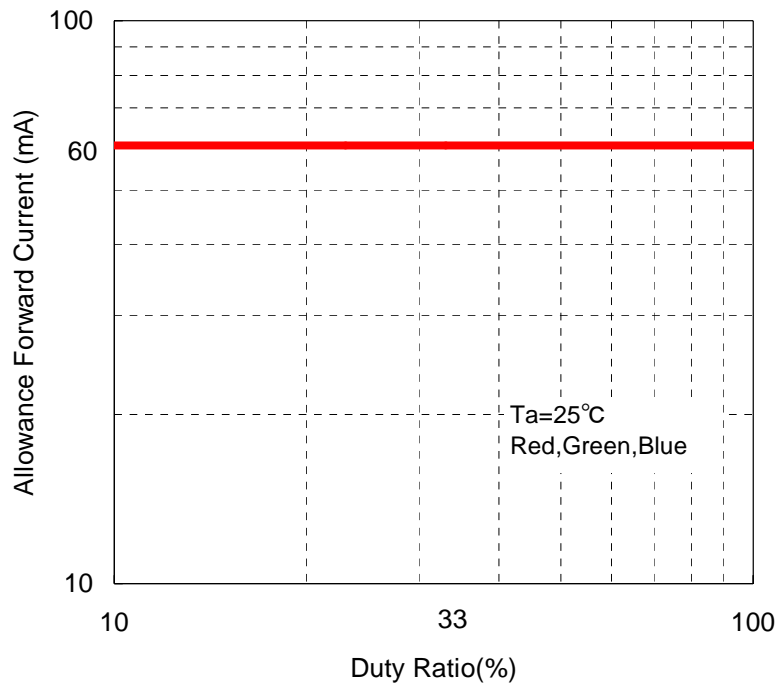
**Figure 2. Output Signals Waveform**

### 5. Maximum Rating

| Item                          | Symbol | Specification      | Note                          |
|-------------------------------|--------|--------------------|-------------------------------|
| DC supply voltage             | VDD    | +5V ± 0.25V        |                               |
| Input voltage                 | VIN    | 0 ~ VDD+0.3V       | SI, CLK                       |
| Ambient temperature           | Ta     | 0 ~ +50 °C         | Operating                     |
|                               |        | -20 ~ +60 °C       | Non-operating                 |
| Ambient humidity              |        | 10 ~ 90%RH         | Avoid a build up condensation |
| Maximum operating Temperature |        | 65 °C 30minuts MAX |                               |

### LED

| Parameter             | Symbol | Red   | Green | Blue  | Notes |
|-----------------------|--------|-------|-------|-------|-------|
| DC Forward Current    | IF     | 60 mA | 60 mA | 60 mA |       |
| Pulse Forward Current | IFP    | 60 mA | 60 mA | 60 mA |       |
| DC Reverse Voltage    | VR     | 5 V   | 5V    | 5V    |       |

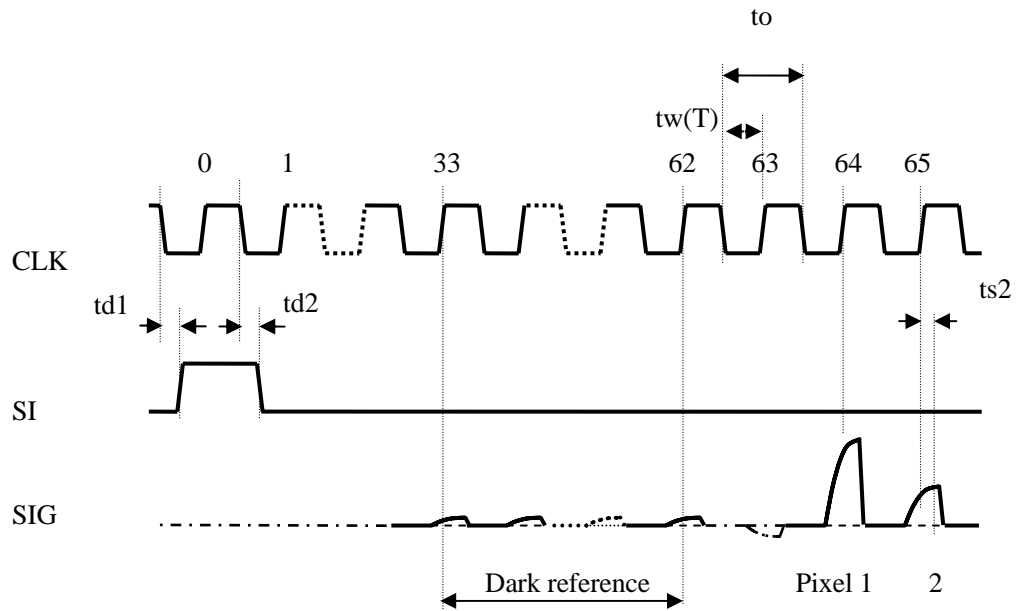


**Figure 3. Duty Ratio vs Allowable Forward Current**

**6. Electrical Characteristics (Ta = 25 °C)**

| Item                       | Symbol          | Condition           | Specification |      |      | Unit |
|----------------------------|-----------------|---------------------|---------------|------|------|------|
|                            |                 |                     | Min.          | Typ. | Max. |      |
| DC Supply Voltage          | VDD             | GND reference       | 4.75          | 5.0  | 5.25 | V    |
| DC Supply Current          | IDD             | VDD = 5V            |               | 90   | 160  | mA   |
| LED Forward Voltage        | VFred           | IF=30mA             | 2.1           | 2.3  | 2.5  | V    |
|                            |                 | IF=40mA             | 2.1           | 2.4  | 2.6  | V    |
|                            |                 | IF=60mA             | 2.3           | 2.5  | 2.7  | V    |
|                            | VFgreen         | IF=30mA             | 3.3           | 3.6  | 4.0  | V    |
|                            |                 | IF=40mA             | 3.4           | 3.8  | 4.1  | V    |
|                            |                 | IF=60mA             | 3.6           | 4.0  | 4.4  | V    |
|                            | VFblue          | IF=30mA             | 3.3           | 3.7  | 4.1  | V    |
|                            |                 | IF=40mA             | 3.4           | 3.8  | 4.2  | V    |
|                            |                 | IF=60mA             | 3.6           | 4.0  | 4.3  | V    |
| Input voltage (Note 1)     | VIH             | SI,CLK              | 3.7           |      |      | V    |
|                            | VIL             |                     |               |      | 1.5  | V    |
| Input Current (Note 1)     | I <sub>IH</sub> | SI,CLK              |               |      | ±0.1 | μA   |
|                            | I <sub>IL</sub> |                     |               |      | ±4.0 | μA   |
| Clock frequency            | f               | CLK                 | 3.9           | 4.0  | 4.1  | MHz  |
| Clock pulse duty           |                 | tw(T)/to;<br>to=1/f | 48            | 50   | 52   | %    |
| SI delay time              | td1             | SI-CLK              | 30            | 40   | to/2 | ns   |
|                            | td2             | SI-CLK              | 30            | 40   | to/2 | ns   |
| Data output stability time | ts2             | CLK-SIG             | 20            | 30   | 40   | ns   |

**Note 1)** 74HC244 or equivalent is recommended for input signal.



Dark reference for Dref appears between clock#33 to #62. Dark dummy stable time is as same as  $ts2$ .

**Figure 4. Timing Diagram**

## 6. Reliability

The following table satisfies the reliability when the CIS is operated continuously under standard operating conditions as specified in section 4.

| Item         | Variable Amount (%)     | Note   |
|--------------|-------------------------|--------|
| White output | Initial level +10% -20% | 1000Hr |
|              | Initial level +10% -30% | 5000Hr |

## 7. Precautions before use:

### 8.1 Glass surface

The glass surface should be kept clean. Don't wipe the glass surface with hand. Don't use the CIS module in a dust-polluted environment. If the glass surface gets dirty, wipe the glass surface gently with a clean cloth soaked in alcohol. The glass surface should be wiped very carefully.

### 8.2 Extracting / Inserting the connector

The maximum number of times that the connector should be extracted and connected is 10. If the connector is inserted / extracted more than 10 times, the connector 'burrs' will be eroded, thereby making the connector ineffective.

### 8.3 Stable operation

(1) The connector pins should not be touched by bare hand or electrostatic charge materials.

(2) **Noise**

- a. Insert a low frequency noise suppressing capacitor (100uF) between VDD(+5V) and GND. A high frequency noise suppressing capacitor is already integrated into the circuit.
- b. Ensure that the sensor connecting cables are 30cm or less in length. The CLK and GND, SIG and GND and VLED and GLED respectively should form twisted cable pairs.

(3) **Latch up**

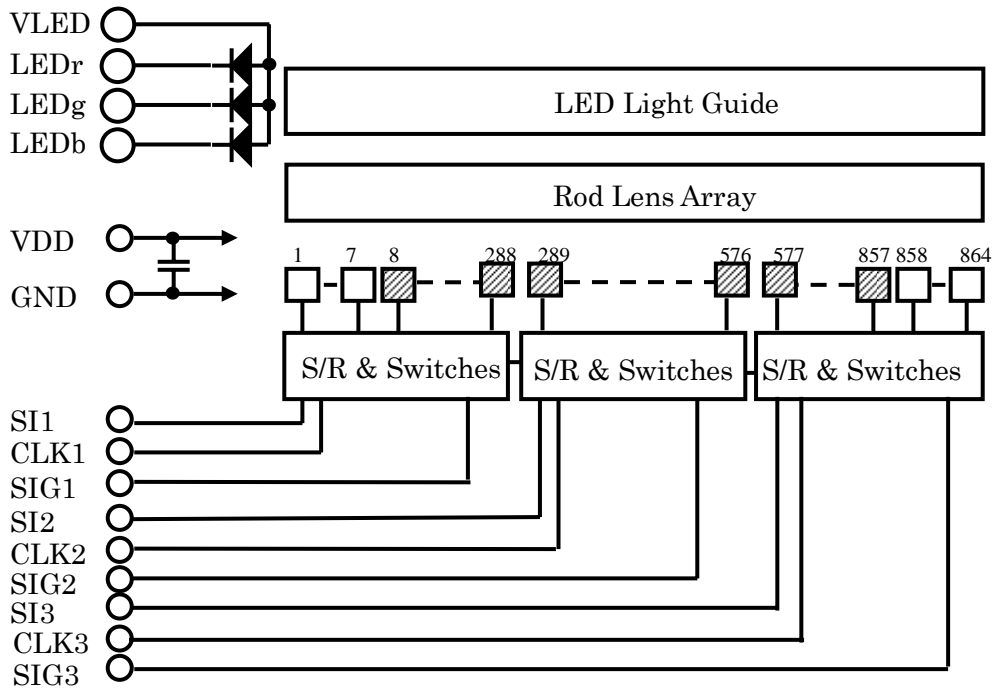
When the supply voltage is higher than the absolute maximum, latch up will cause the sensor to break, even if the voltage is caused by a surge. If the current varies rapidly in the external circuit, or when the power is turned on an off very frequently, ensure that the voltage of each terminal does not exceed the values indicated in below.

(4) **LED circuit**

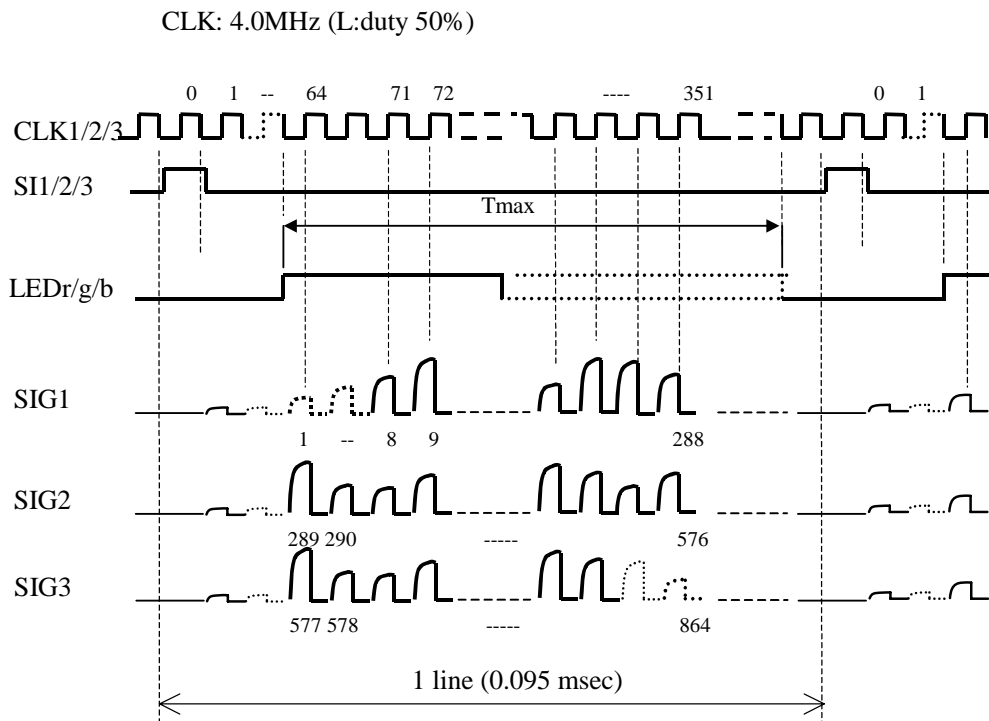
As shown in Figure.6 LED circuit has not any resistance. Be careful not to connect the LED circuit to power supply directly without current limit resistors.

(5) **Absolute maximum ratings**

| Item           | Symbol | Condition     | Specification |         | Unit |
|----------------|--------|---------------|---------------|---------|------|
|                |        |               | Min           | Max     |      |
| Supply Voltage | VDD    | GND reference | -0.3          | +6.5    | V    |
| Input voltage  | Vin    | SI,CLK        | GND-0.3       | VDD+0.3 | V    |



**Figure 5. Block Diagram**

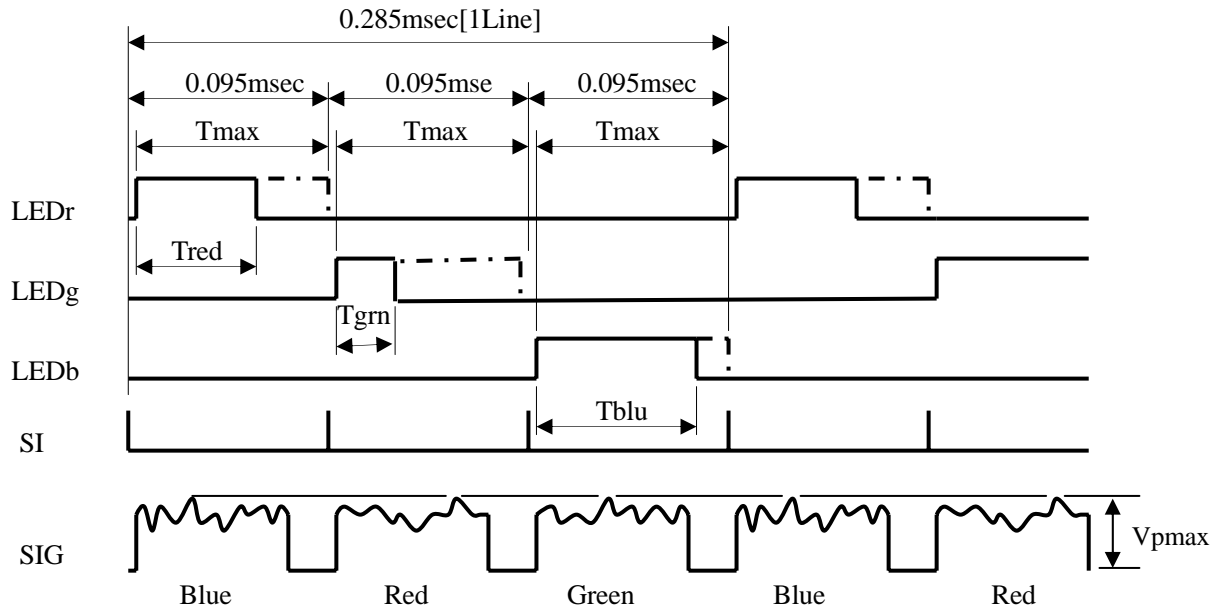


**Figure 6. Timing Diagram**

(This is the SHEC shipping test condition.)

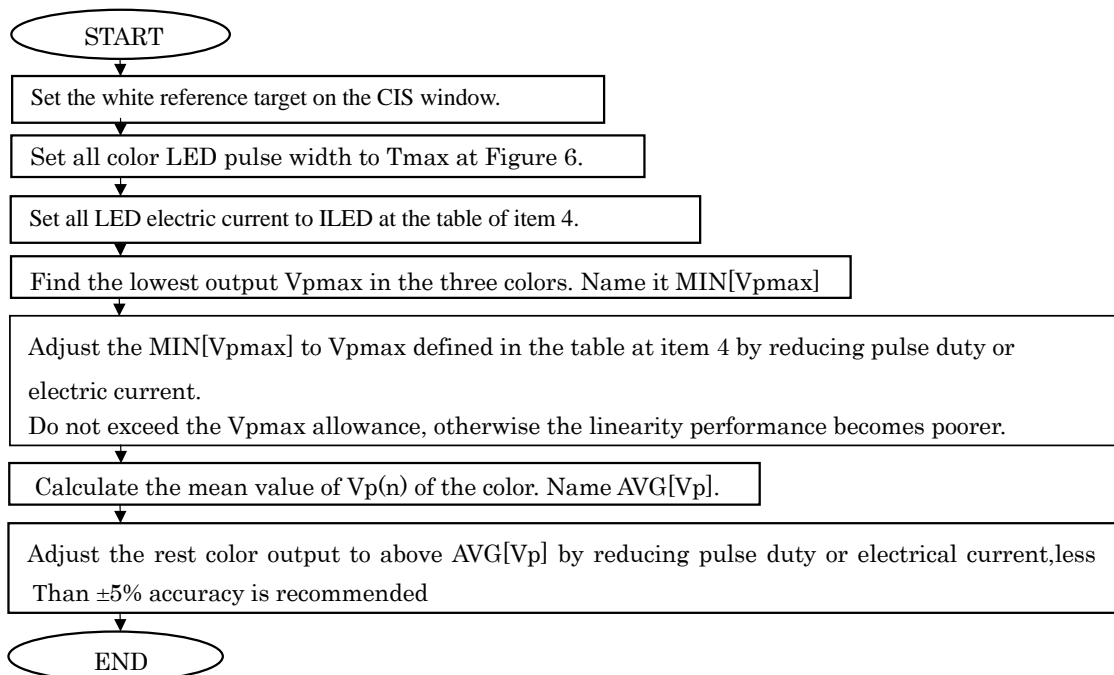
Note: After 288,576 or 864 SIG, there are 24 bits dummy outputs.

□ **Color Mode**



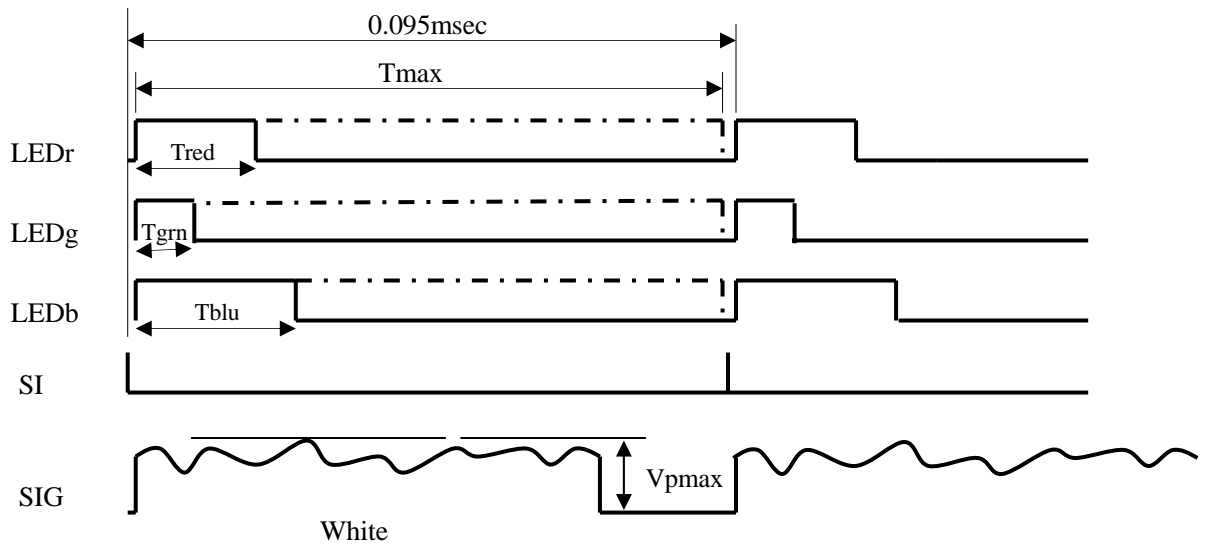
$V_{pmax}$  and the mean of  $V_{Ep}(n)$  of all color have to be adjusted to nearly equal. Refer the adjustment flow at Figure 8.

**Figure 7. Color mode Timing Diagram**  
(This is the SHEC shipping test condition)



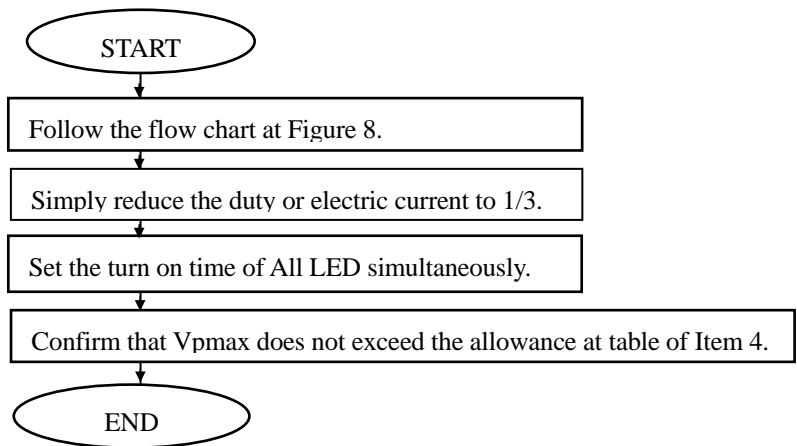
**Figure 8. Flow Chart of Color mode Adjustment** (This is the SHEC shipping test condition)

□ **B&W Mode**



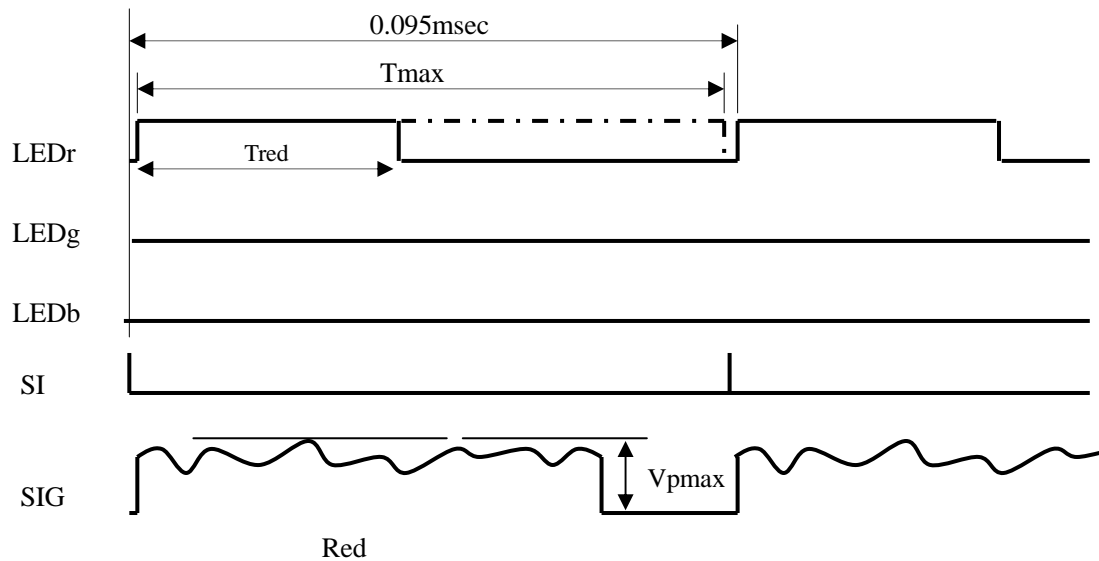
To get better white light source, refer the adjustment flow at Figure 10.

**Figure 9. B&W mode with White Light Source Timing Diagram**



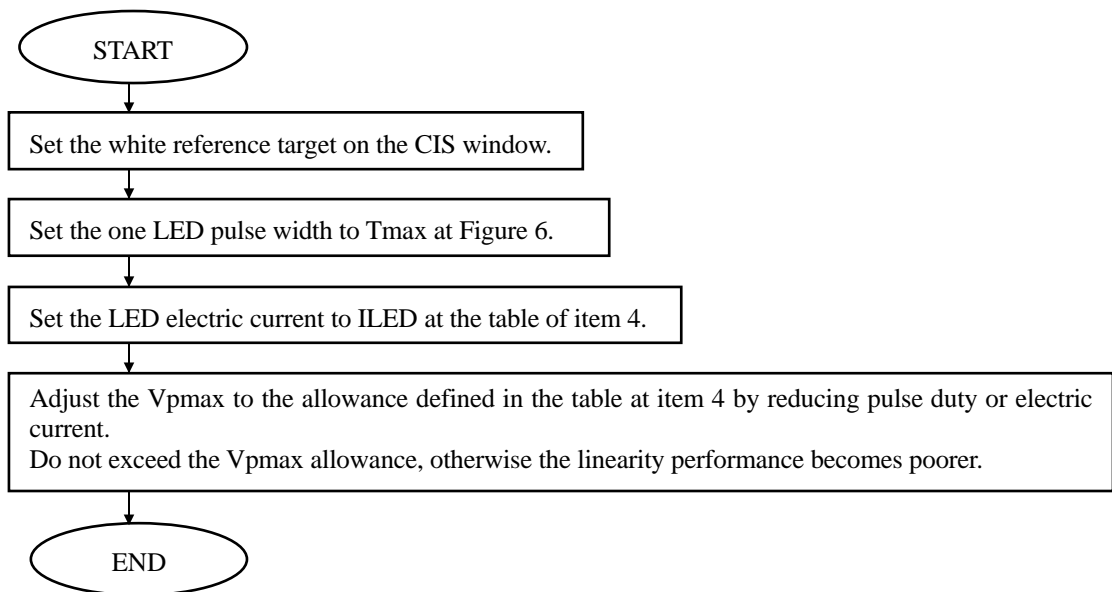
**Figure 10. Flow Chart of B&W mode with White Light Source Adjustment**

□ **B&W Mode with Mono-Color Light Source**



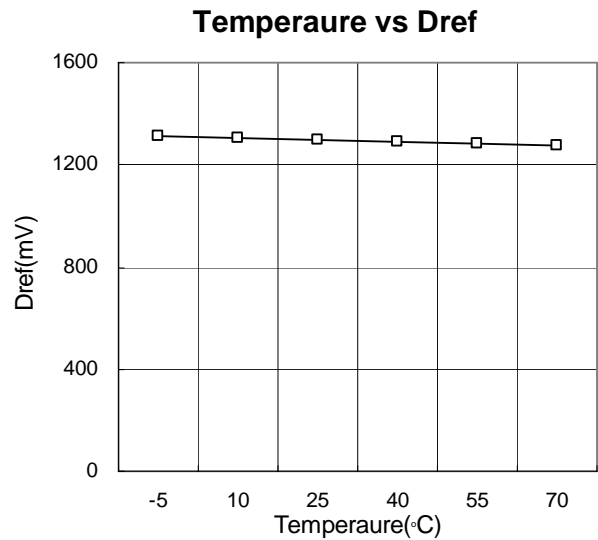
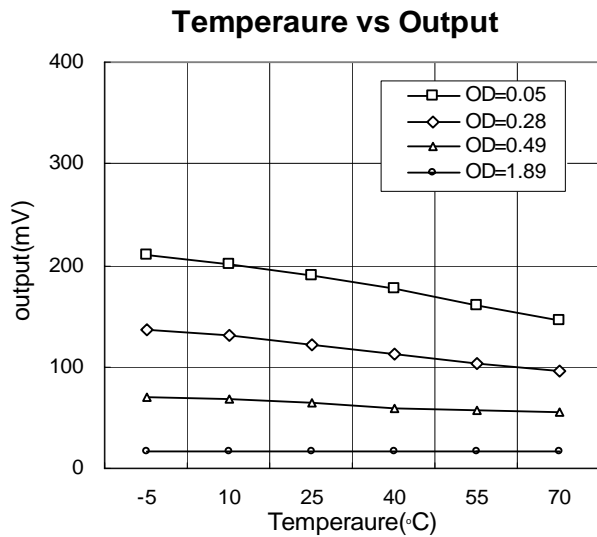
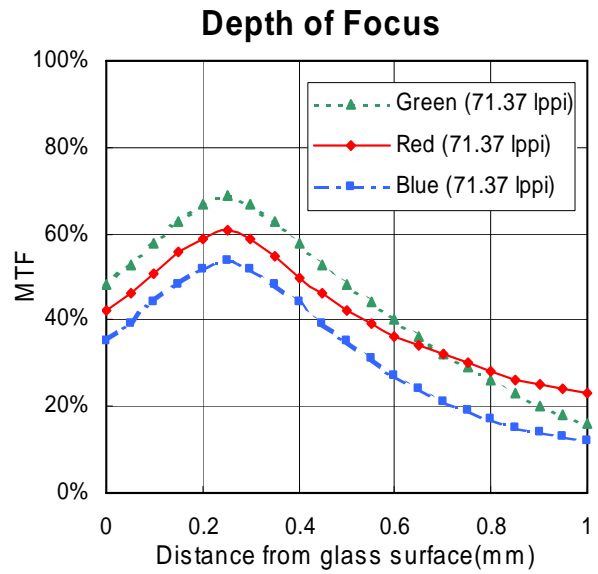
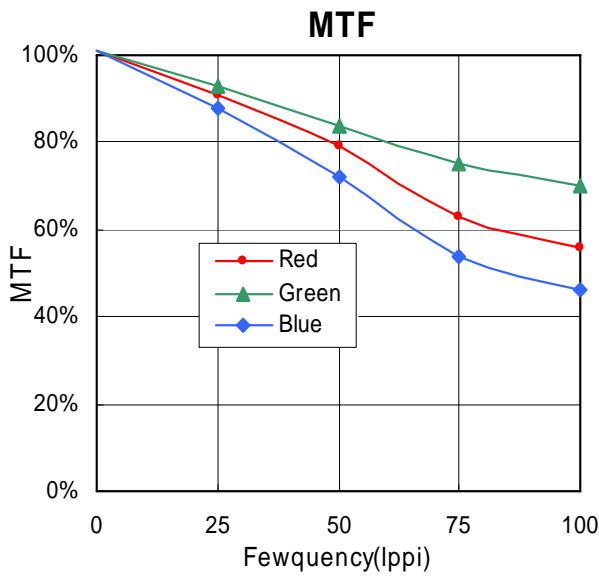
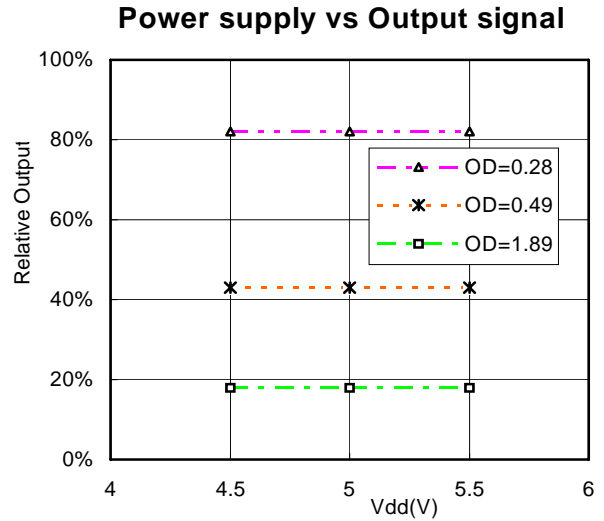
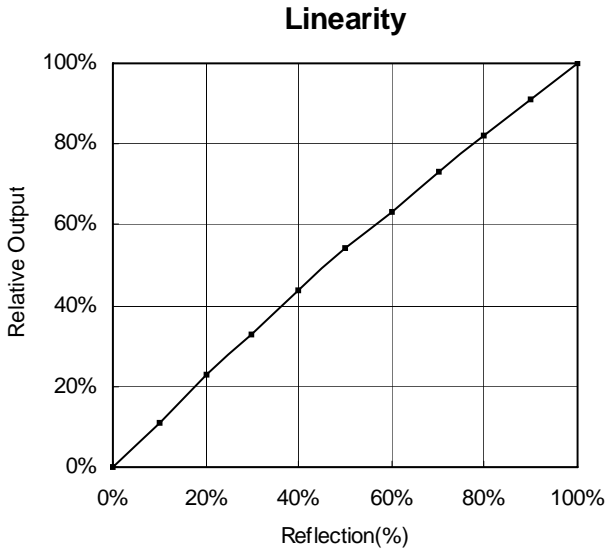
This is the example for Red mono-color application. Refer the adjustment flow chart at Figure 12.

**Figure 11. B&W mode with Mono-Color Light Source Timing Diagram**

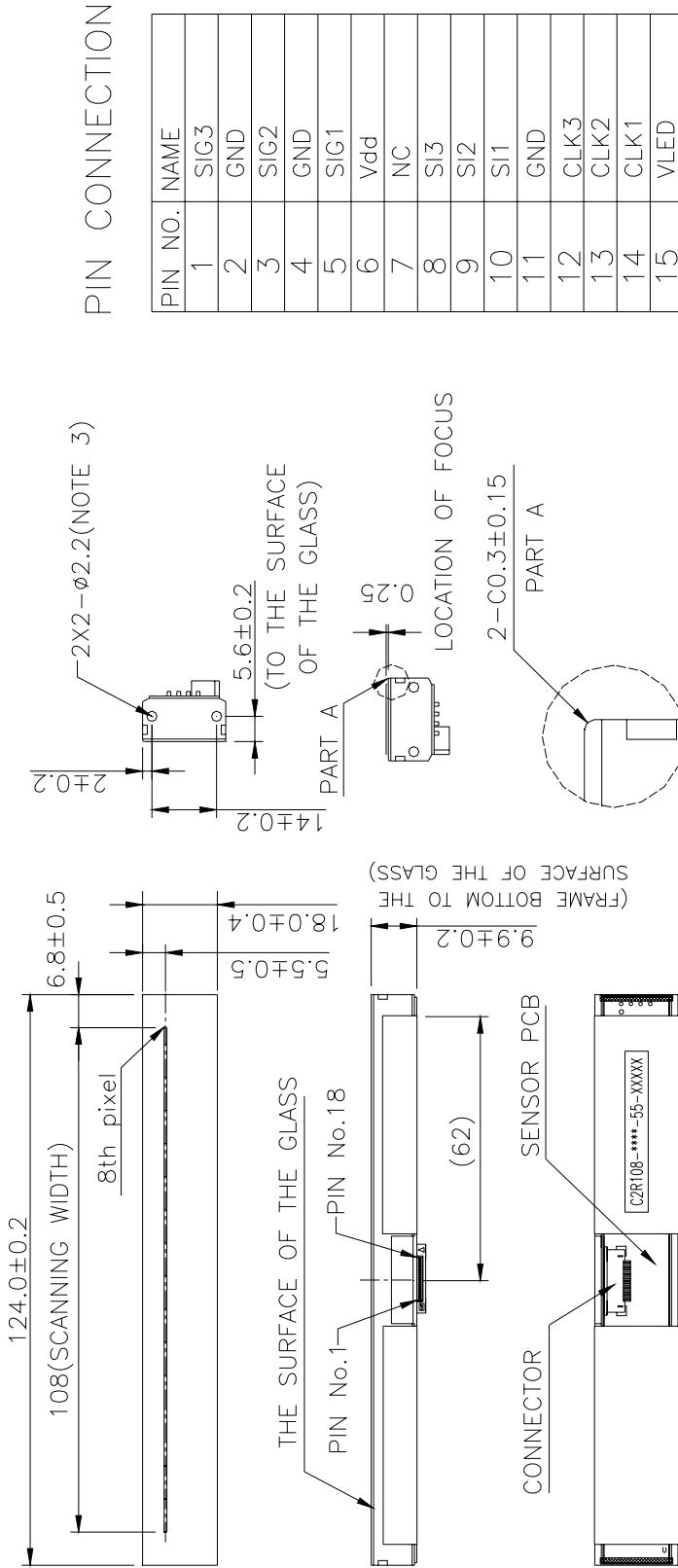


**Figure 12. Flow chart for Mono-Color Adjustment**

**Figure 13. Typical Performance Curve**  
Unless otherwise specified, Ta=25°C



**Figure 1 Dimensions**



NOTE:

- 1.CONNECTOR:18FLZ-RSM1-TB
- 2.CIS TYPE AND LOT NUMBER ARE PRINTED ON THE BOTTOM OF THE SENSOR FRAME.

C2R108-\*\*\*-5 5 - xxxx  
(CIS TYPE) (2005)(MAY.) (SERIES No.)

|       |    |    |    |
|-------|----|----|----|
| MONTH | 10 | 11 | 12 |
|       | A  | B  | D  |

- 3.WHEN ATTACHING THE HOLDERS TO THE CIS, USE M2.5(M2.6) TAPPING SCREWS.
- 4.COVER-GLASS SHOULD NOT PROTRUDE FROM BOTH SIDE EDGE OF FRAME.

PIN CONNECTION

| PIN NO. | NAME  |
|---------|-------|
| 1       | SIG3  |
| 2       | GND   |
| 3       | SIG2  |
| 4       | GND   |
| 5       | SIG1  |
| 6       | Vdd   |
| 7       | NC    |
| 8       | SI3   |
| 9       | SI2   |
| 10      | SI1   |
| 11      | GND   |
| 12      | CLK3  |
| 13      | CLK2  |
| 14      | CLK1  |
| 15      | VLED  |
| 16      | LED G |
| 17      | LED R |
| 18      | LED B |

Mass Production Sample

OUTLINE : Additional Page